



FracRight Diff Sleeve

Hydraulic Multi-Stage Fracturing Sleeve

Tendeka's FracRight Diff Sleeve is hydraulically activated to directly communicate with the first zone ensuring reliability in frac operations.

FracRight Multi-Stage System

The FracRight System is a drop ball activated fracturing system that enables the installation of multiple sleeves, one for each zone to be stimulated, maximising production. The sleeves are shifted open by pumping a ball from surface, allowing for subsequent stimulation of the selected zone. FracRight combines a range of Tendeka's field-proven technologies into a single high-quality system.

FracRight Diff Sleeve

The Diff sleeve is functioned open after pressure is applied to the plugged string. This allows direct communication with the formation and the first zone, ensuring the most efficient and reliable fracking operations.

The FracRight Diff Sleeve is available in a range of metallurgies and connections. This combined with a working pressure of up to 10,000psi and 826,000lbs tensile rating makes it the ideal solution for highly deviated wells.

Features

- Hydraulically activated
- Locking ring to hold sleeve in the open position once activated
- Adjustable shear settings
- Standard or sour service materials available

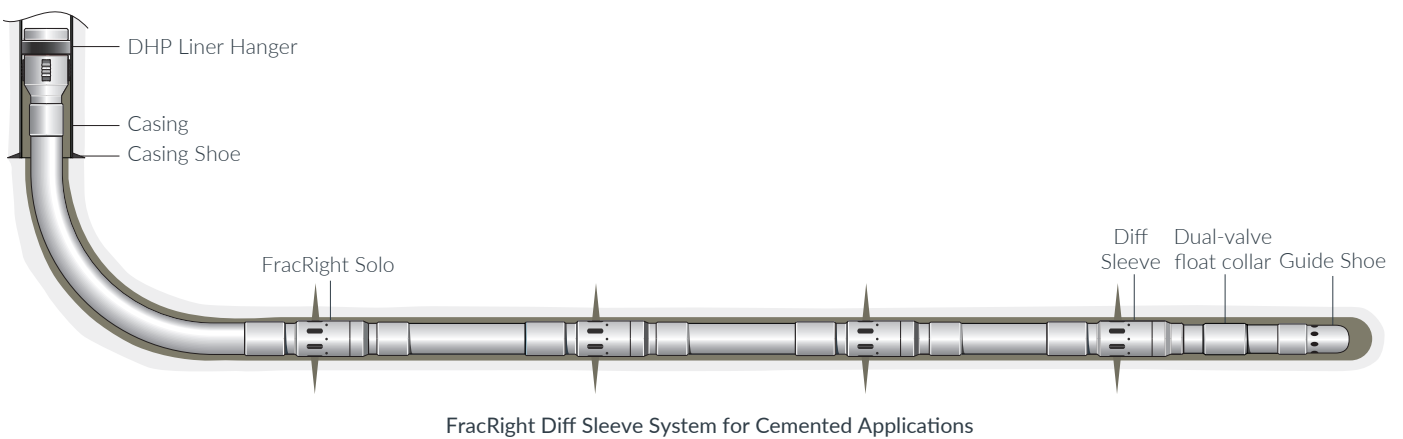
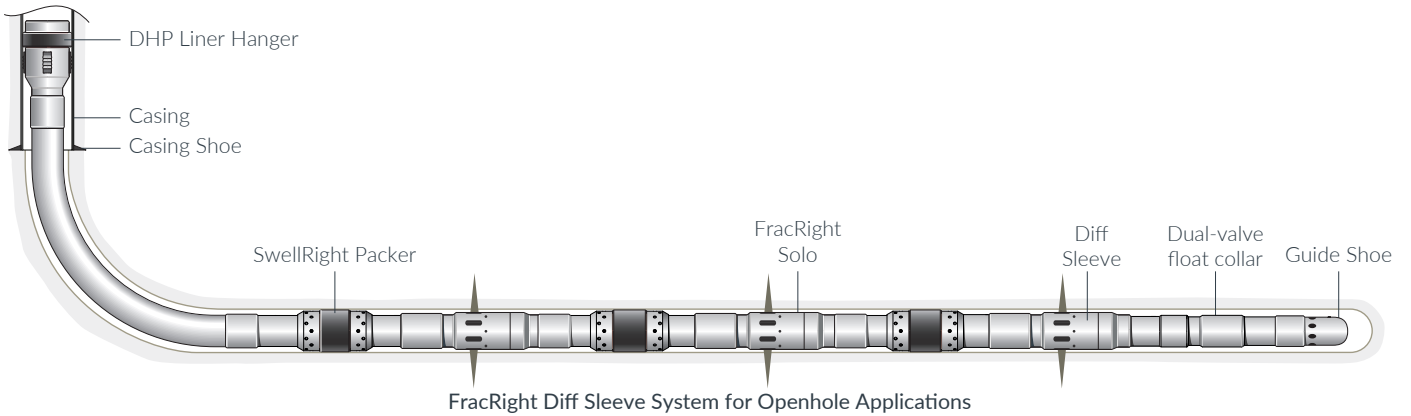
Benefits

- Can be deployed in open hole or cemented applications
- Allows communication with the toe of the well to initiate frac operations





FracRight Diff Sleeve System



| Technical Specifications | 4.5" | 5.5" |
|--------------------------|----------------------|----------------------|
| Maximum OD | 5.500" (140mm) | 7.055" (179.2mm) |
| Minimum ID | 3.400" (86.4mm) | 3.65" (92.7mm) |
| Length | 30.2" (0.8m) | 50.8" (1.3m) |
| Connection | 4.5", 13.5lbs/ft BTC | 5.5", 15.5lbs/ft BTC |
| Pressure Rating | 10,000psi (689bar) | 10,000psi (689bar) |
| Temperature Rating | 300°F (150°C) | 300°F (150°C) |
| Tensile Rating | 394,000lbs | 826,000lbs |
| Flow Port Area | 15.2in ² | 17.3in ² |